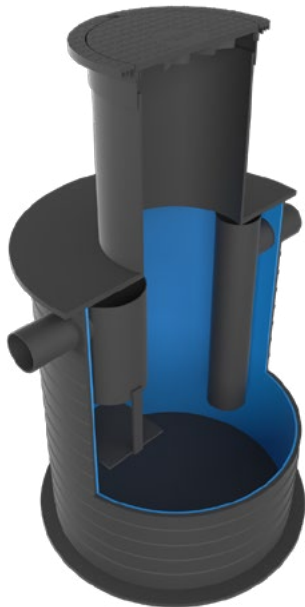


INTEGRAL GREASE SEPARATORS - HDPE TYPE NERO-G TO EN 1825/DIN 4040-100



The Aquafix NERO-G grease separators remove grease, animal and vegetable fats and oils out of wastewater from kitchen, restaurants and meat processing. These separators are equipped with integrated sludge trap and are manufactured according to the European standard EN 1825 / DIN 4040-100 and have a CE Mark and a EC Declaration of Performance.

The separators are tested, rated and certified for use and functionality by the accredited institute LGA TÜV. The separator housing is manufactured out of durable 1st. class new HDPE material.

The internal part of the separators are made out of durable KOMO certified PE-HD. The separators are standard equipped with a PE/PP telescopic manhole cover DN 600mm load class: A. 15kN. For a small surcharge you can opt for a cover class B. 125kN or class D. 400kN.

EN-1825

Benefits:

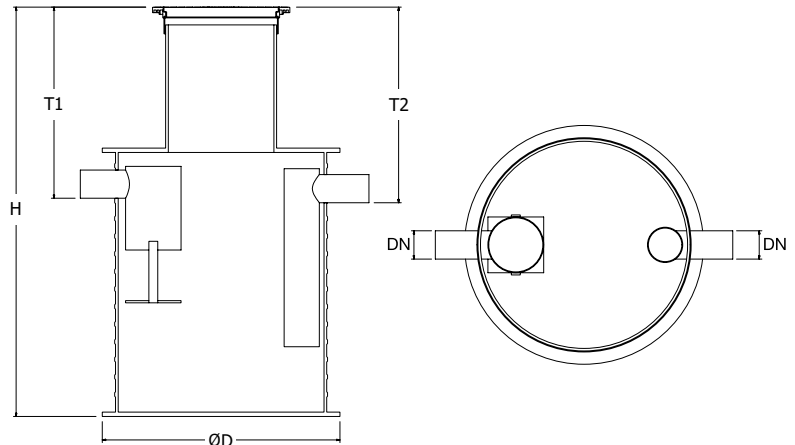
- For underground installation
- Compact design
- Manufactured out of durable HDPE
- Internal parts of durable PE-HD (KOMO certified)
- Manufactured according to EN 1825/DIN4040-100
- Customized production on request

Options:

- Above ground installation model
- Pumping station
- Flexible connectors
- Grease level alarmsystem
- Control chamber

Certificates:

- CE Mark
- EC Declaration of Performance
- European Regulation Construction product 305/2011/EU
- LGA TÜV tested and certified for use and functionality



Type AQUAFIX®	Nominal Sizes	Sludge Storage	Fat Storage	DN Ø	D Ø	H Min.	T1	T2	Covers Qty	Total Weight	Emission by TÜV
205.2810.0020	2	200 liter	173 liter	110	1150	1485	505-900	580-975	1	185	22 mg/ltr.
205.2810.0021	2	400 liter	173 liter	110	1150	1755	505-900	580-975	1	210	22 mg/ltr.
205.2812.0022	2	400 liter	265 liter	110	1150	1570	505-900	580-975	1	220	22 mg/ltr.
205.2810.0040	4	400 liter	170 liter	125	1150	1740	520-900	595-970	1	215	15 mg/ltr.
205.2812.0041	4	400 liter	260 liter	125	1350	1555	520-900	595-970	1	225	15 mg/ltr.
205.2812.0042	4	800 liter	260 liter	125	1350	1915	520-900	595-970	1	245	15 mg/ltr.
205.2812.0070	7	700 liter	346 liter	160	1350	2075	540-900	610-970	1	265	11 mg/ltr.
205.2815.0071	7	1400 liter	415 liter	160	1650	2230	540-900	610-970	1	350	11 mg/ltr.
205.2815.0100	10	1000 liter	453 liter	160	1650	1935	540-900	610-970	1	365	9 mg/ltr.

Dimension in mm, storage in liters and weight in kilograms

Subject to changes